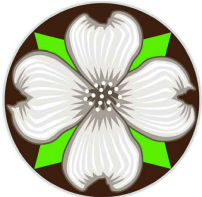


THE FOLLOWING LATEST VERSION OF THE OREGON STANDARD DRAWINGS
PUBLISHED BY APWA/ODOT TO BE USED AS A CITY OF MILWAUKIE
STANDARD WITH MILWAUKIE SPECIFIC REQUIREMENTS AS NOTED

OSSC STANDARD DRAWING NUMBER	OSSC STANDARD DRAWING NAME	MILWAUKIE EXCEPTION TO DRAWING
RD338	STANDARD SANITARY SEWER MANHOLE	NO MANHOLE STEPS
RD342	SHALLOW MANHOLES	NO MANHOLE STEPS
RD344	STANDARD MANHOLE BASE SECTION	NO EXCEPTION TAKEN
RD352	OUTSIDE DROP MANHOLES	NO EXCEPTION TAKEN
RD362	SANITARY CLEANOUT	NO EXCEPTION TAKEN

NOTES:

- STANDARD DRAWING PUBLISHED BY APWA/ODOT NOT LISTED MUST NOT BE USED WITHOUT PRIOR APPROVAL BY THE PUBLIC WORKS DEPARTMENT



**CITY OF MILWAUKIE, OREGON – PUBLIC WORKS DEPT.
ACCEPTABLE OREGON STANDARD DRAWINGS,
WASTEWATER**

DRAWING NO.

300

APPROVED

Jennifer Darby

03/2024

CITY ENGINEER

DATE

NO.

REVISIONS

DATE

BY

1

NEW DRAWING

11/18

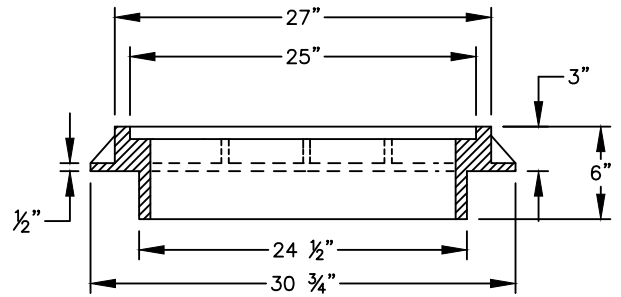
TAP

2

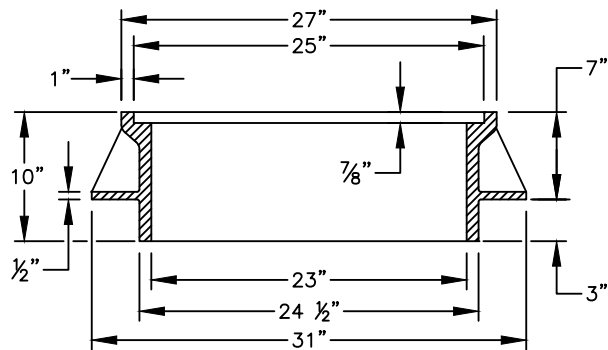
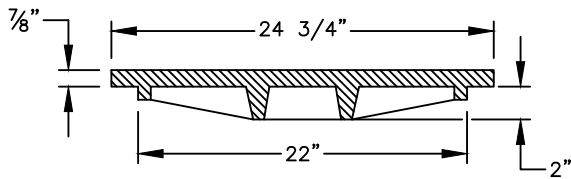
NOTE CHANGED

08/19

TAP



CAST IRON SUBURBAN FRAME
APPROX. WT. - 305 LBS

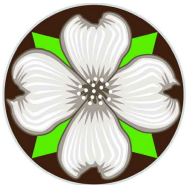


CAST IRON STANDARD FRAME
APPROX. WT. - 387 LBS

NOTES:

1. COVER AND FRAME TO BE MACHINED FOR TRUE BEARING.
2. MATERIAL TO BE GREY CAST IRON ASTM A-48 CLASS 30.
3. SUBURBAN FRAMES ARE ONLY AUTHORIZED TO BE USED IN NON-VEHICULAR AREAS.

LIDS MAY BE PURCHASED FROM THE CITY OR THE MANUFACTURER



CITY OF MILWAUKIE, OREGON - PUBLIC WORKS DEPT.

Wastewater Manhole Frame and Cover

DRAWING NO.

301

APPROVED

Janice Darby

03/2024

CITY ENGINEER

DATE

NO.

REVISIONS

DATE

BY

4 DRAWING NO. CHANGE

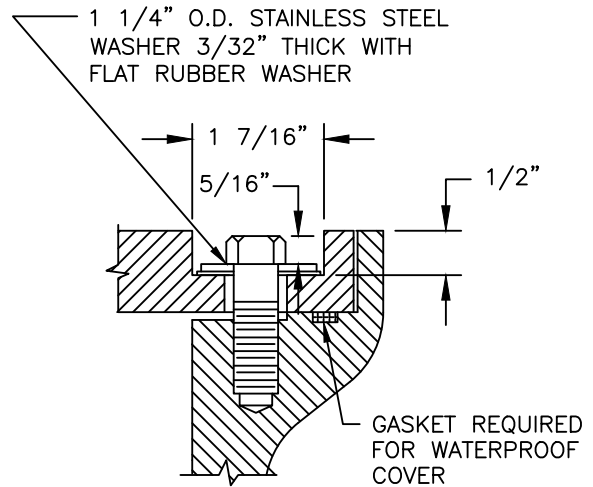
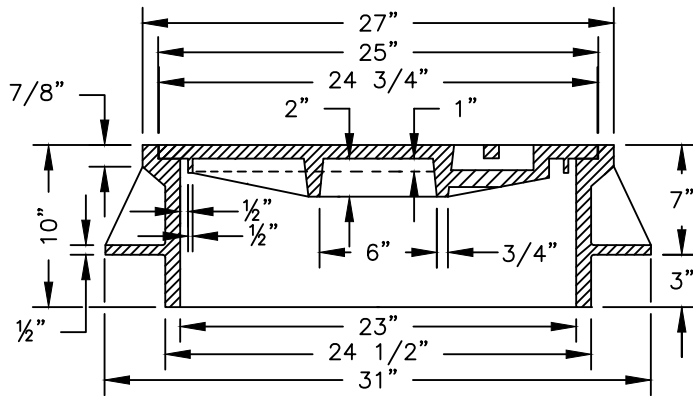
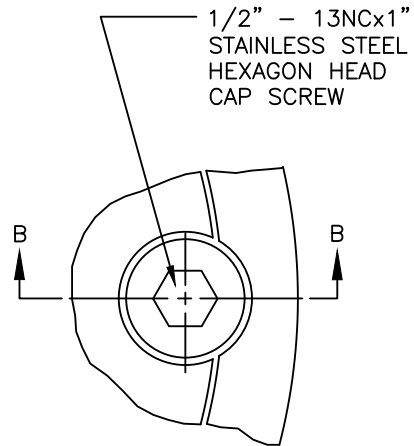
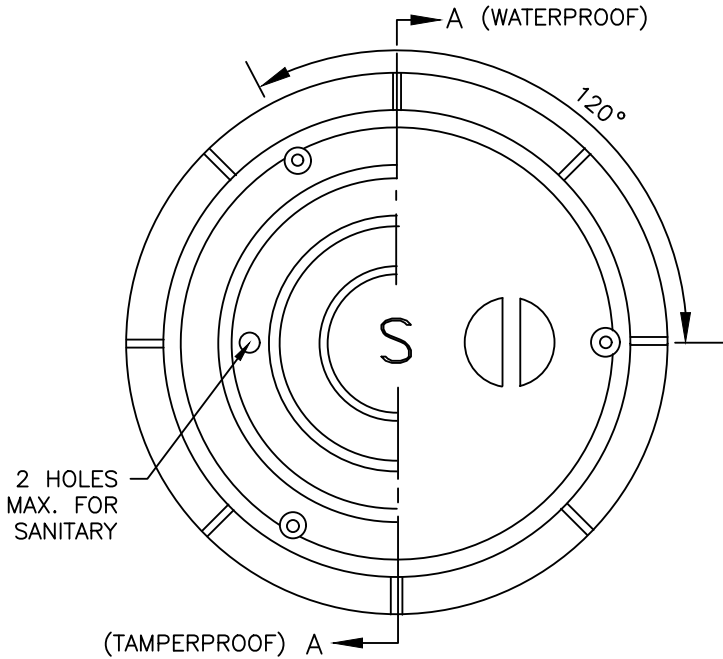
11/18 TAP

5 NOTE CHANGED

08/19 TAP

6 TITLES CHANGED

11/23 TAP



(FRAMES AVAILABLE IN STANDARD OR SUBURBAN)

SECTION A-A

SECTION B-B

NOTES:

1. TAMPER PROOF COVERS REQUIRED ON WASTEWATER MANHOLES LOCATED WITHIN UNIMPROVED EASEMENTS AND RIGHT-OF-WAY.
2. WATER TIGHT COVERS REQUIRED IF LOCATED WHERE COVER MAY BE SUBMERGED.
3. COVER AND FRAME TO BE MACHINED FOR TRUE BEARING.
4. MATERIAL TO BE GREY CAST IRON ASTM A-48 CLASS 30.

LIDS MAY BE PURCHASED FROM THE CITY OR THE MANUFACTURER



CITY OF MILWAUKIE, OREGON – PUBLIC WORKS DEPT.

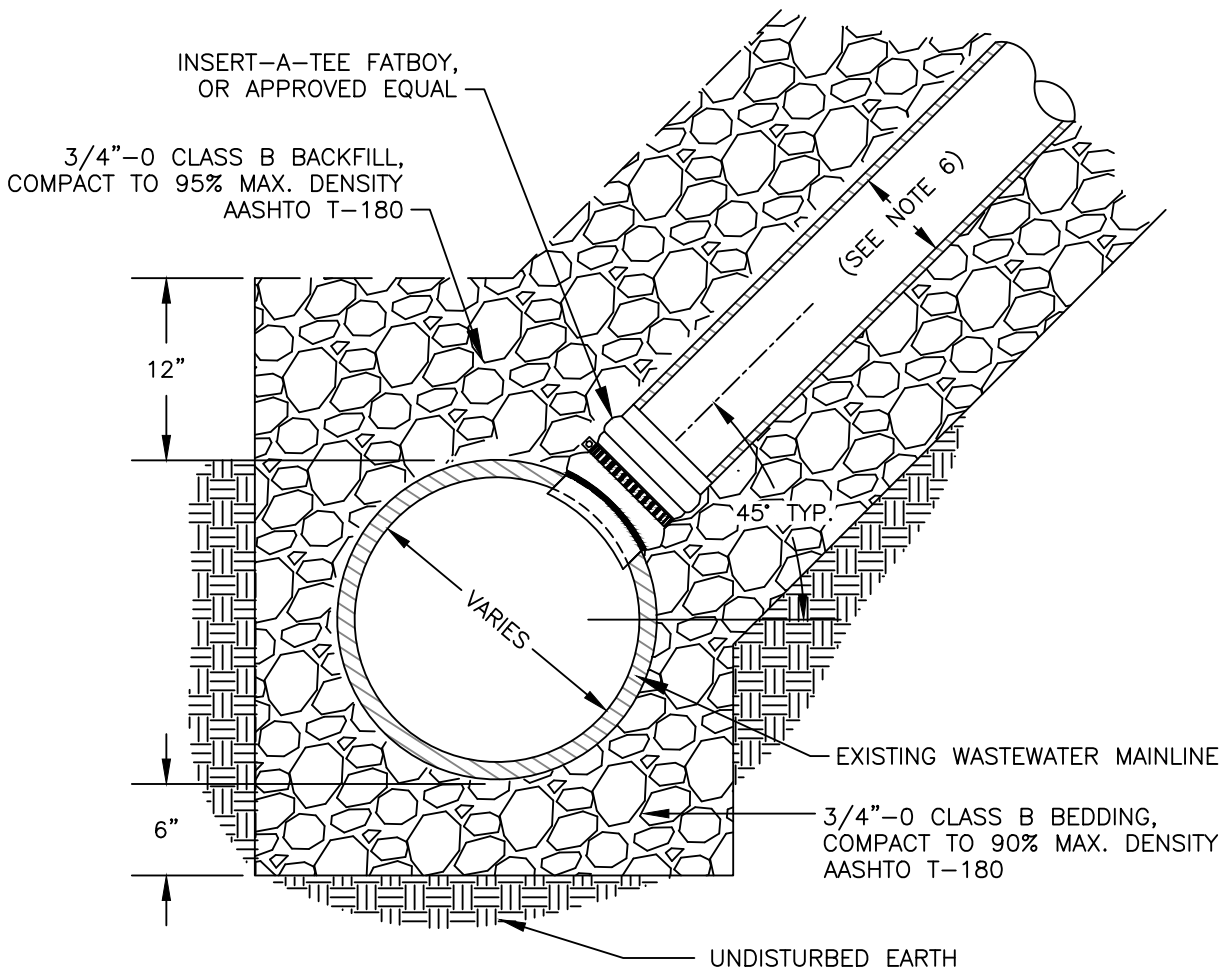
Waterproof and Tamperproof Frame and Cover

DRAWING NO.

302

APPROVED *Janice Jankel*
CITY ENGINEER
DATE 03/2024

NO.	REVISIONS	DATE	BY
4	DRAWING NO. CHANGE	11/18	TAP
5	NOTE CHANGED	08/19	TAP
6	NOTES CHANGED	11/23	TAP



NOTES:

1. THE WASTEWATER TAP MUST NOT BE MADE EXCEPT IN THE PRESENCE OF A CITY INSPECTOR NOR SHALL ANY CONNECTION BE MADE WITHOUT CITY APPROVAL.
2. HOLE IN MAIN TO BE MACHINE DRILLED AND CORED.
3. AN INSERT-A-TEE FATBOY OR APPROVED EQUAL TO BE USED. HDPE ELECTROFUSION TEE OR WYE IS REQUIRED ON HDPE WASTEWATER MAINLINES.
4. WASTEWATER TAP TO BE ABOVE SPRINGLINE.
5. 4" MAXIMUM TAP FOR 8" MAIN WITH APPROVED COUPLERS (CUT-IN TEE TO BE USED FOR 6" HOUSE BRANCH ON 8" MAIN)
6. 4" HOUSE BRANCH MAY BE USED FOR SINGLE FAMILY LOTS ONLY. MINIMUM INSIDE DIAMETER MUST BE EQUAL TO THE BUILDING'S SEWER DIAMETER.



CITY OF MILWAUKIE, OREGON – PUBLIC WORKS DEPT.

Wastewater Connection

DRAWING NO.

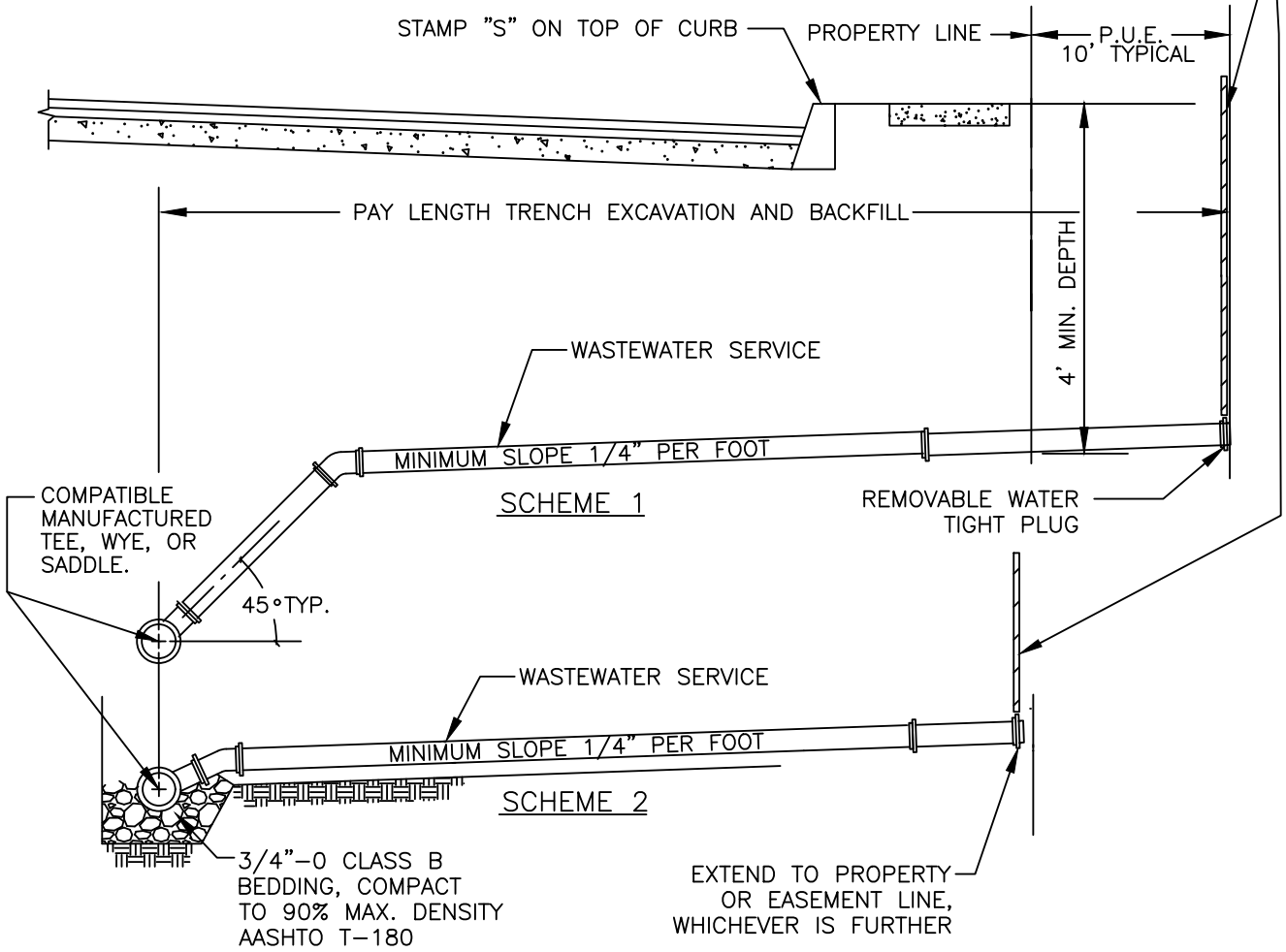
303

APPROVED *Janice Dabely*
CITY ENGINEER

03/2024
DATE

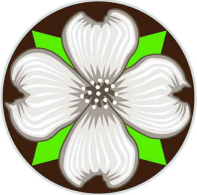
NO.	REVISIONS	DATE	BY
5	DRAWING NO. CHANGE	11/18	TAP
6	TITLE AND NOTE CHANGED	08/19	TAP
7	TITLE, NUMBER AND NOTE CHANGED	11/23	TAP

2" x 4" TREATED STAKE FROM INVERT TO 3' ABOVE FINISH GRADE. STAKE SHALL BE CONTINUOUS AND REMAIN VERTICAL AFTER BACKFILLING. END TO BE PAINTED GREEN. (TYPICAL AT ALL SERVICES.)



NOTES:

1. SCHEME AND DEPTH FOR HOUSE SERVICE TO BE DETERMINED IN THE FIELD BY ENGINEER.
2. SERVICE MUST NOT BE BACKFILLED PRIOR TO INSPECTION.
3. INSTALL TRACER WIRE (GREEN, 18 GAUGE, INSULATED COPPER) FROM MAINLINE TO SURFACE AT 2" x 4" STAKE.
4. ALL FITTINGS TO BE PRE-FORMED AND GASKETED.



CITY OF MILWAUKIE, OREGON – PUBLIC WORKS DEPT.

Wastewater Service Branch

DRAWING NO.

304

APPROVED *Janice Darby*
CITY ENGINEER DATE 03/2024

NO.	REVISIONS	DATE	BY
4	DRAWING NO. CHANGE	11/18	TAP
5	TITLE CHANGE, NOTES CHANGED	08/19	TAP
6	TITLE, NUMBER AND NOTES CHANGED	11/23	TAP