

WS 2. 5/21/24  
Presentation

# SCADA Update

May 21, 2024



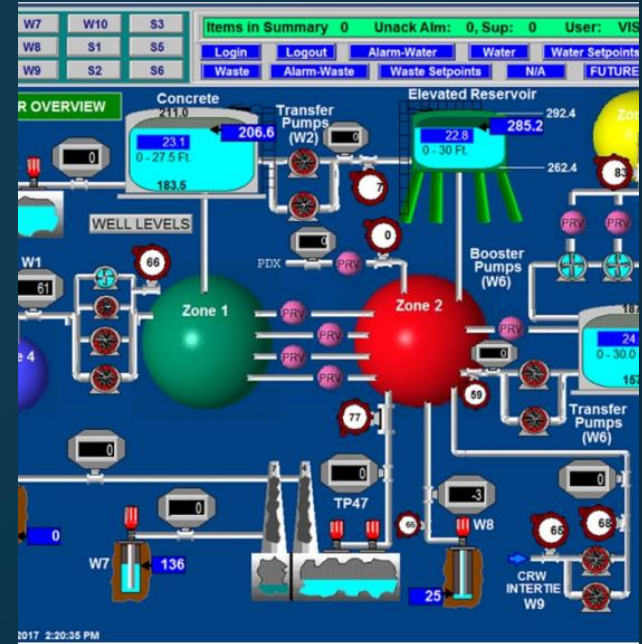
# What is SCADA

- Supervisory control and data acquisition (SCADA) is a system of software and hardware elements that allows industrial organizations to:
  - Control industrial processes locally or at remote locations
  - Monitor, gather, and process real-time data
  - Directly interact with devices such as sensors, valves, pumps, motors, and more through software
  - Record events



# SCADA – Water and Wastewater

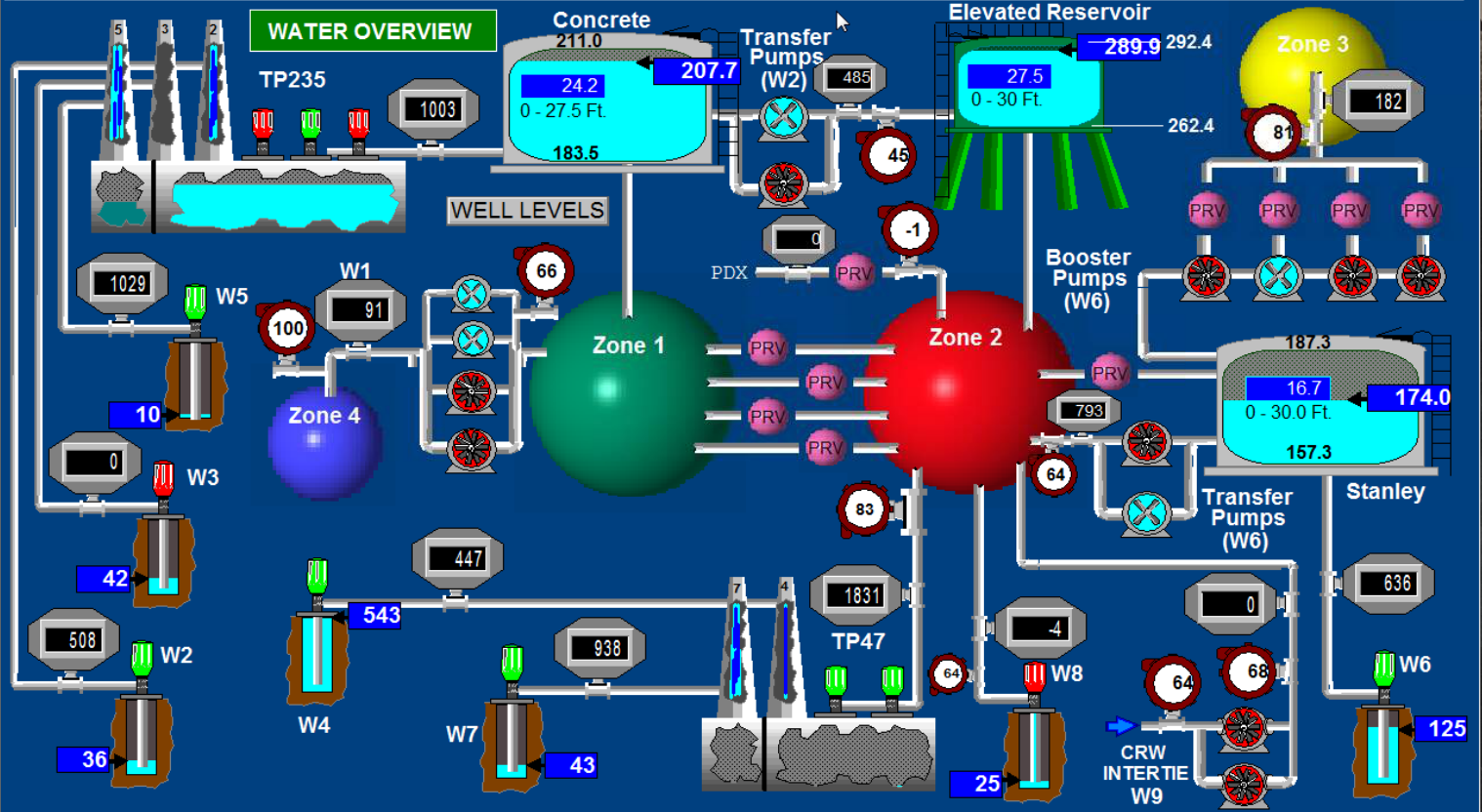
- Completed SCADA Master Plan – July 2019
- Awarded Contract for Design Services and SCADA Application Development - 2020
  - \$470K
  - Initially Planned two phases
    - Communication
    - Automation and Control
- Bid Communications Infrastructure
  - May 2022
  - No Bid
- Consolidated Phases – May 2023
  - bid from TSI for \$1.928M
  - Award June 6<sup>th</sup>, 2023
- Complete Late June 2024



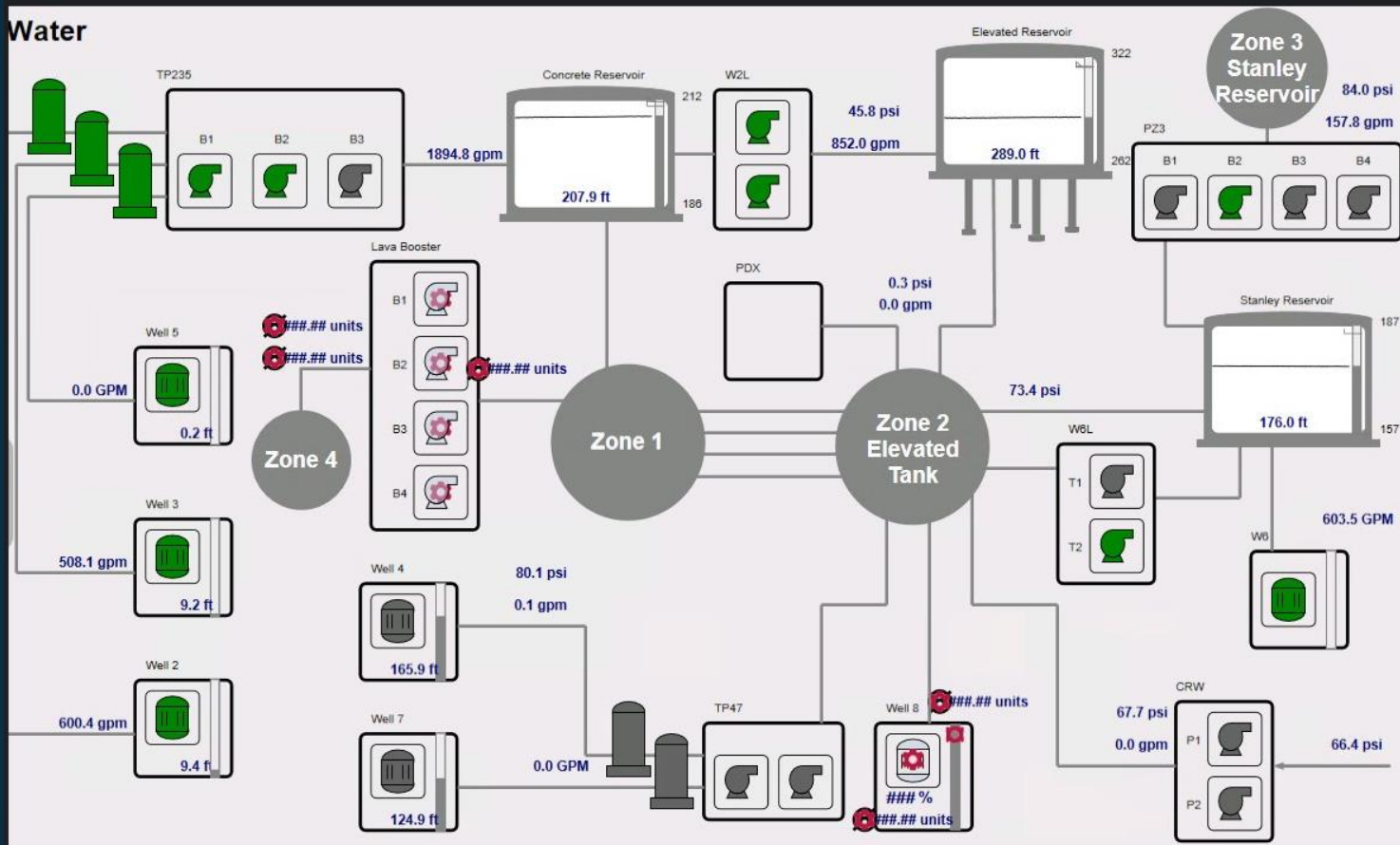
|       |    |        |    |     |    |
|-------|----|--------|----|-----|----|
| TP235 | W2 | W5     | W7 | W10 | S3 |
| TP47  | W3 | W6     | W8 | S1  | S5 |
| W1    | W4 | W6TRND | W9 | S2  | S6 |

Items in Summary 4 Unack Alm: 0, Sup: 0 User: VISITOR

|       |             |                 |       |                 |        |
|-------|-------------|-----------------|-------|-----------------|--------|
| Login | Logout      | Alarm-Water     | Water | Water Setpoints | System |
| Waste | Alarm-Waste | Waste Setpoints | N/A   | FUTURE          | TRENDS |



# Water



# Timeline

- Week of 4/15 to 4/19: PZ3 and Well 6 - Complete
- Week of 5/6 to 5/10: TP47 and Well 7 (simultaneous startup) -Complete
- Week of 5/13 to 5/17: TP235 (with Wells 2 & 3) (simultaneous startup) - Complete
- Week of 5/20 to 5/24: Lava PS and Well 5 - In progress
- June : Well 8 , Punchlist items



# Questions

Peter Passarelli

Public Works Director

[passarellip@milwaukieoregon.gov](mailto:passarellip@milwaukieoregon.gov)

